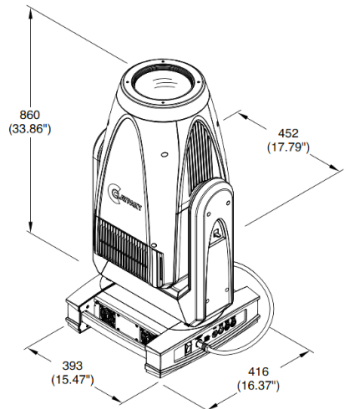
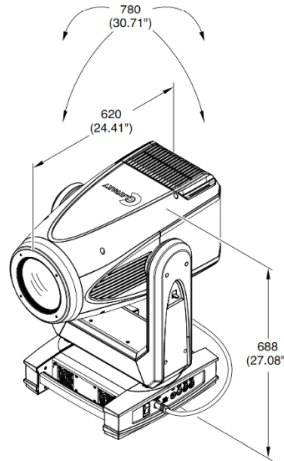


MODEL: RHAPSODYA

CODE: CL3024

March 29, 2024



LIGHT SOURCE:

- Source type:** • LED RGBAL
- Power:** • 1200W
- Color temperature:** • 2500 to 10000K
- CRI:** • Up to 95
- LED life expectancy:** • 40.000 Hrs L70*

* It may vary depending on various factors, such as the type of use and environment

PHOTOMETRIC DATA:

- Zoom range:** • 6,6 – 61,8°
- Lm output:** • 24.000 Lm (integrating sphere)
- Front lens:** • Ø 180 mm
- Optical syt.:** • 14 high efficiency lenses

NOISE LEVEL:

- Controlled by:** • Able to control linearly the speed of the fans
- Fixed presets:** • 27 / 30 / 35 dBA
- Fanless mod.:** • With reduced output

CONTROL & CONNECTIONS:

- Personalities:** • 3 modes with 62 / 54 / 46 control channels + separate control of the strings (20 channels)
- Protocols:** • DMX, Art-Net, sACN, RDM
• CRMX Lumen Radio (Optional)
- Connectors:** • Locking 5 pin XLR IN/OUT
• RJ45 IN
- Power con.:** • PowerCon True1 IN
- Web server:** • Built-in
- CloudIO:** • Fully compatible
• On-field calibration for color consistency

DYNAMIC EFFECTS:

- Colors:** • RGBAL control
• Virtual CTO
• Digital color filters
• ± green correction
• Adjustable CRI
- Framing Systems:** • 4 blades with ± 60 rotation of the full system, 2 focal planes
• "Total Curtain" effect allowing the full blackout with each single blade
- Gobos:** • 2 rotating gobo wheels with 6 HD Indexable and replaceable gobos
• Ext Diam. 32,8 mm
• Image diam. 27 mm
• Thickness 1,1 mm
- Frost:** • Light frost 1° for soft diffusion (Interchangeable)
• Heavy Frost 5° for wash effect (Fixed)

Rotating effects:

- 1 aluminium animation wheel with continuous rotation in both direction at variable speed – XY movement
- 1 four-facet prism with rotation in both directions at variable speed

Iris:

- 16 blades motorized with variable pulse and random effects

Movement:

- Tilt: 270° - 16bit
- Pan: 540° - 16bit
- Accuracy: Resolution $\pm 0.12^\circ$ ($\pm 0^\circ 7' 12''$)
Range 0.24° ($0^\circ 14' 24''$)
- Absolute position
- Automatic repositioning
- Mechanical Pan/Tilt lock for safe transportation and maintenance
- Tilt safety brake system

Beam:

- Motorized zoom and focus
- Autofocus

Dimmer /**Shutter:**

- High resolution electronic dimmer - 24 bit, 3 curves
- High speed electronic shutter and strobe

HARDWARE & SOFTWARE:

- Long life self-charging battery
- Display graphic LCD backlit B/W display
- Firmware upload from another fixture
- Firmware upgrade via Web Server
- Diagnostic
- DMX monitoring
- Remote access through RDM

HOUSING:

- Aluminium and steel structure with plastic covers
- Two side handles for transportation
- IP20 protection rate
- Working in any position
- Hanging system: with fast-lock Omega clamps (1/4) turn on the base
- Optional safety chain

ELECTRICAL:**Operating voltage:**

- 100-120 / 200-240V, 50/60 Hz

Power Supply:

- Electronic auto range with active PFC

MAX Power consumption:

- 1600 W

THERMAL SPECIFICATION:**MAX Ambient temperature:**

- 40°C (104°F)

Min Ambient Temperature:

- -20°C (-4°F)

MAX temp. of ext. surface:

- 40°C (104°F)

Total heat dissipation:

- 5294 BTU/hr $\pm 10\%$ / 5580 kJ/hr $\pm 10\%$

SAFETY SPECIFICATIONS:**Min. dist. of illum. objs:**

- 2 m (6'7")

Min. dist. from flamm. mat.:

- 0,2 m (8")

Protections:

- Bipolar circuit breaker with thermal protected power supply (overheating and cooling failure)
- Forced ventilation with axial fans

COMPLIANCE:**CE Marking (in conformity to the following):**

- 2014/53/EU - Radio Equipment Directive (RED)
- 2011/65/EU - Restriction of the use of certain hazardous substances (RoHS)
- 2009/125/EC - EcoDesign requirements for Energy-related Products (ErP)

UKCA conforms to UK regulations:

- S.I. 2017 N.1206
- S.I. 2012 N.3032
- S.I. 2021 N.745

cETLus LISTED:

- UL 1573:2003
- CSA C22.2 N.166:2015

PACKAGING:

- Green/Total carton box
- Flight case + Foam shell (1 position)

WEIGHT & SIZES:**Weight:**

- 48.1 Kg (106.04 lbs)

Base dim.s:

- 452 x 407 mm
- 17,79 x 16,02 in

Height with**vert. head (h):**

- 859 mm
- 33,82 in

Dist. b/t 2 fixt:

- 850 mm

ACCESSORIES:**Omega bracket:**

- 2x183102/805 (Included)

ELT Power:

- CAB0TF-802 (Included)*
* Cord 1.5 m (bare end with IP65 PowerConTrue1 conn.)

Flight case (1 pos):

- CF1028 (Optional)

Safety Chain:

- 105041-003 (Optional)

Clamp:

- C21070 (Optional)